

INSTALLATION, OPERATION AND MAINTENANCE MANUAL

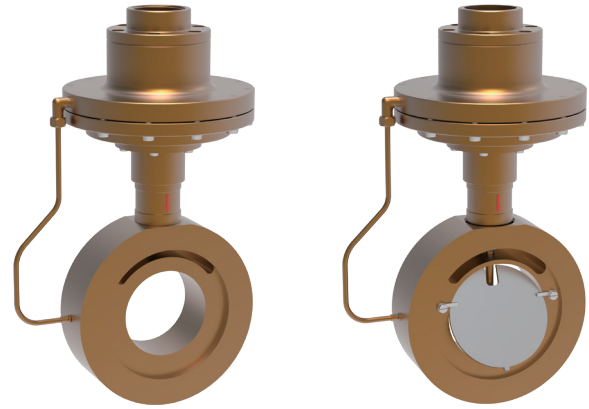
Balanced Pressure Proportioner PP / PPW Series

PP and PPW Balanced Pressure Proportioner

Description

The balanced PP and PPW series proportioner induces foam concentrate into the water feed line. Each proportioner consists of a cast bronze body, metering orifice, bronze pressure balancing valve, and pressure sensing tubing. Foam proportioning accuracy is maintained during fluctuations in water flow and pressure.

The proportioner is available in five standard sizes of PP series ranging from 3" to 10" (DN75-DN250) with flows ranging from 210L/m to 38400 L/m, and 3 sizes of PPW series ranging from 6" to 10" (DN150-DN250) with flow range from 189L/m to 26495 L/m,



Application

SureX PP and PPW series proportioners are used in foam pump systems.

The system utilizes a positive displacement foam pump to pressurize foam concentrate within the supply manifold. A pressure control valve, located in the return line to the foam concentrate storage tank, is set to maintain a regulate pressure in the supply manifold at a minimum of 1 bar (14.5 psi) to 2 bar (29 psi) higher than the maximum pressure in the water supply line.

Product Features

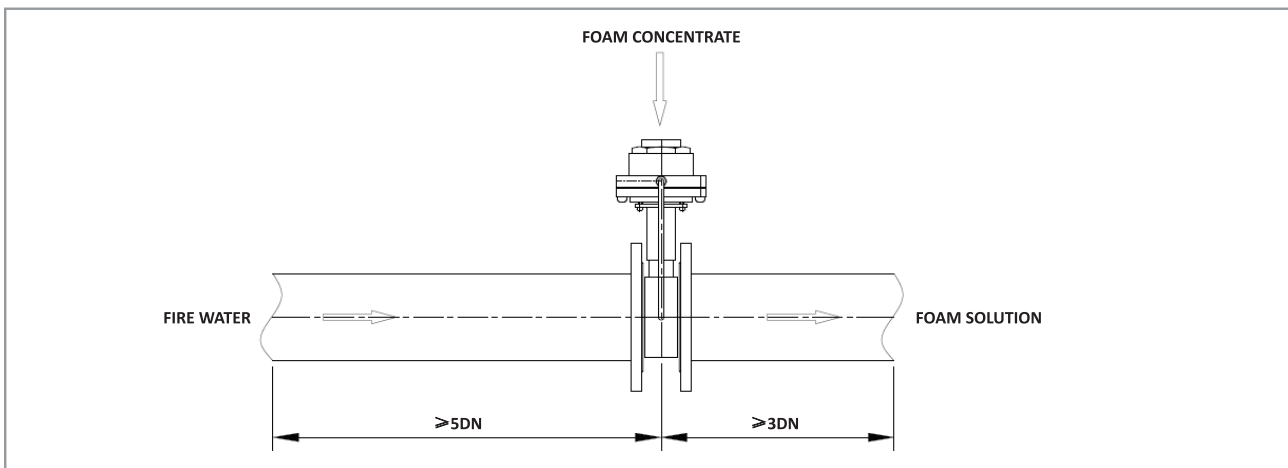
- Design to meet the Requirements of GB50151 EN 13565-1;NFPA16.
- Corrosion Resistant design and bronze material
- Wafer type water connection
- Maintenance free
- Flanged or screw threaded BSP (or NPT) foam connection
- Max working pressure: 6.0-21 bar (87-300psi)
- Suitable for AFFF, AR-AFF and Fluorine-free foam concentrate
- Proportioning Rate: 1%, 3%, 6%

Operation

The proportioner will operate automatically when the flow and pressure are within the flow range. The foam pressure must be at least 1 bar higher than the water pressure through the proportioner. Operate all valves in the system smoothly.

Installation

A minimum of five diameters (D) of straight pipe is required in the water line before entering the proportioner and three diameters (D) after the proportioner.



Note: Foam pressure must be 1 bar to 2 bar higher than the water pressure through the proportioner. A minimum of five diameters straight pipe is required upstream and three diameters straight pipe is required downstream.

INSTALLATION, OPERATION AND MAINTENANCE MANUAL

Balanced Pressure Proportioner PP / PPW Series

Ordering Information

Specify the following information when ordering:

- Size
- Proportioning Rate
- Part No.

Guarantee

For details of warranty, refer to SureX current list price schedule or contact SureX directly.

Part No.	Description
PP03	PP-3
PP04	PP-4
PP06	PP-6
PP08	PP-8
PP10	PP-10
PPW06	PPW-6
PPW08	PPW-8
PPW10	PPW-10

Inspection Test and Maintenance

Refer to respective requirements, according to the relevant standards for Inspection, Testing and Maintenance. If applicable, refer to FM Global Property Loss Prevention Datasheet 4-12 for specific test and commissioning criteria. In addition, the "Authority Having Jurisdiction" (AHJ) may have additional maintenance, testing and inspection requirements that must be followed.

Disposal

At end of use the product described here should be disposed of via the national recycling system.

Accessories and Spare Parts

The device is not field repairable and there are no spare parts.

Declaration of Conformity

If required, contact the appropriate SureX sales office for further assistance.

Proportioner Information

Proportioner Performance

Size	Proportioning Rate	Flow Rate L/m	
		Min	Max.
-	-		
PP-3	1%, 3%, 6%	210	2040
PP-4	1%, 3%, 6%	540	6300
PP-6	1%, 3%, 6%	1200	10000
PP-8	1%, 3%, 6%	2400	27000
PP-10	1%, 3%, 6%	4800	38400

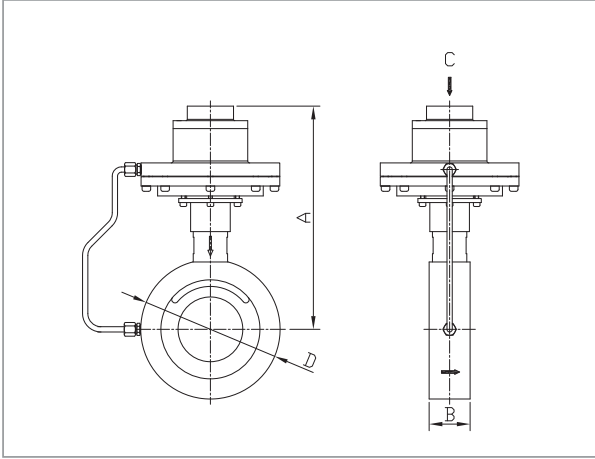
Size	Proportioning Rate	Flow Rate L/m	
		Min	Max.
-	-		
PPW-6	1%, 3%	189	11355
PPW-8	1%, 3%	189	18925
PPW-10	1%, 3%	189	26495

*The Actual Flow Rate Range will depend on foam Concentrate, proportioning rate, and pressure loss.

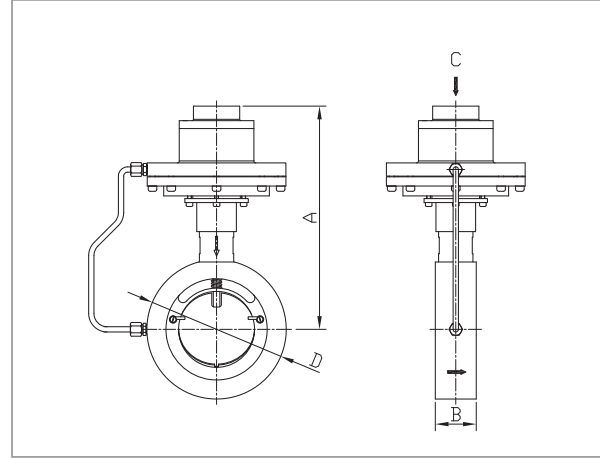
INSTALLATION, OPERATION AND MAINTENANCE MANUAL

Balanced Pressure Proportioner PP / PPW Series

Dimensions

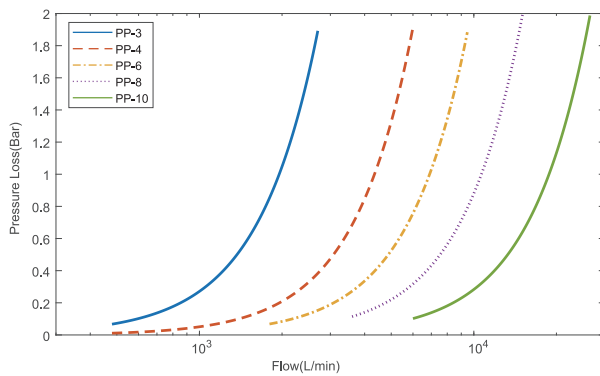


Size	PP-3	PP-4	PP-6	PP-8	PP-10
A(mm)	224	287	338	460	527
B(mm)	37	62	62	82	82
C*	G1"	G 1/2 "	G2"	G2 1/2"	G3"
D(mm)	133	156	211	265	320



Size	PPW-6	PPW-8	PPW-10
A(mm)	343	440	+
B(mm)	62	62	+
C*	286	360	+
D(mm)	211	265	+

Pressure Loss---PP



Pressure Loss---PPW

