

PPW Series Wide Range

SureX Wide range proportioning systems function by maintaining equal pressures in the foam concentrate and water inlets to the proportioner. This balancing ability and a variable orifice allows the proportioner to be used over a wider range of flows and pressures than standard balanced pressure pump proportioners. The system will also respond quickly and accurately to changes in the water inlet pressures and flow rates.

The system utilizes a positive displacement foam pump to pressurize foam concentrate within the supply manifold. A pressure control valve, located in the return line to the foam concentrate storage tank, is set to maintain a regulated pressure in the supply manifold at a minimum of 15 psi to 30 psi (1 bar to 2 bar) higher than the maximum pressure in the water supply line. Foam concentrate, not required by the proportioner, returns to the atmospheric storage tank through the pressure control valve.

Design Features:

- 6 in. , 8 in. and 10 in. models with various flow ranges as low as 50 gpm and as high as 7,000gpm (189L/min to 26,495L/min).
- Bronze Material.
- Compact, corrosion-resistant design.
- Maintenance-free construction.
- Mounts between the same nominal size flanges without a spool piece for water inlet and foam solution outlet.
- Ease of recharge and post-fire cleanup.

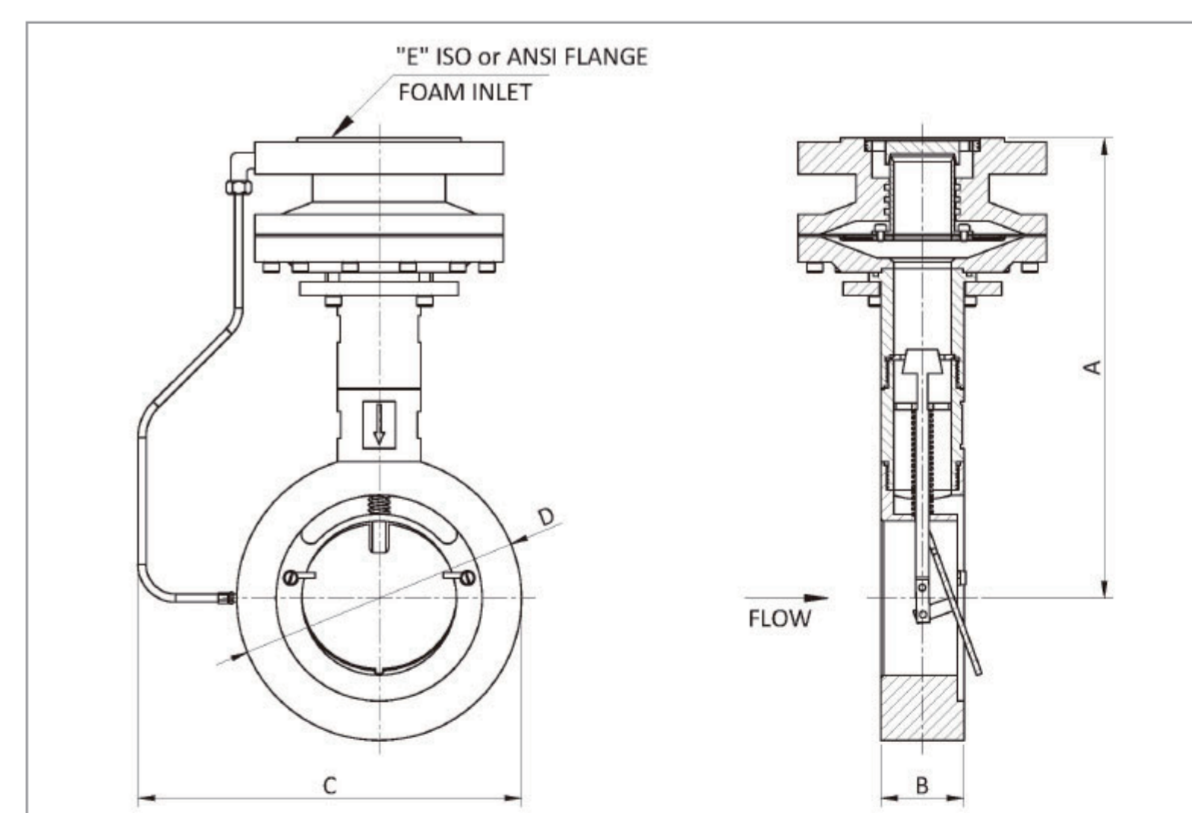
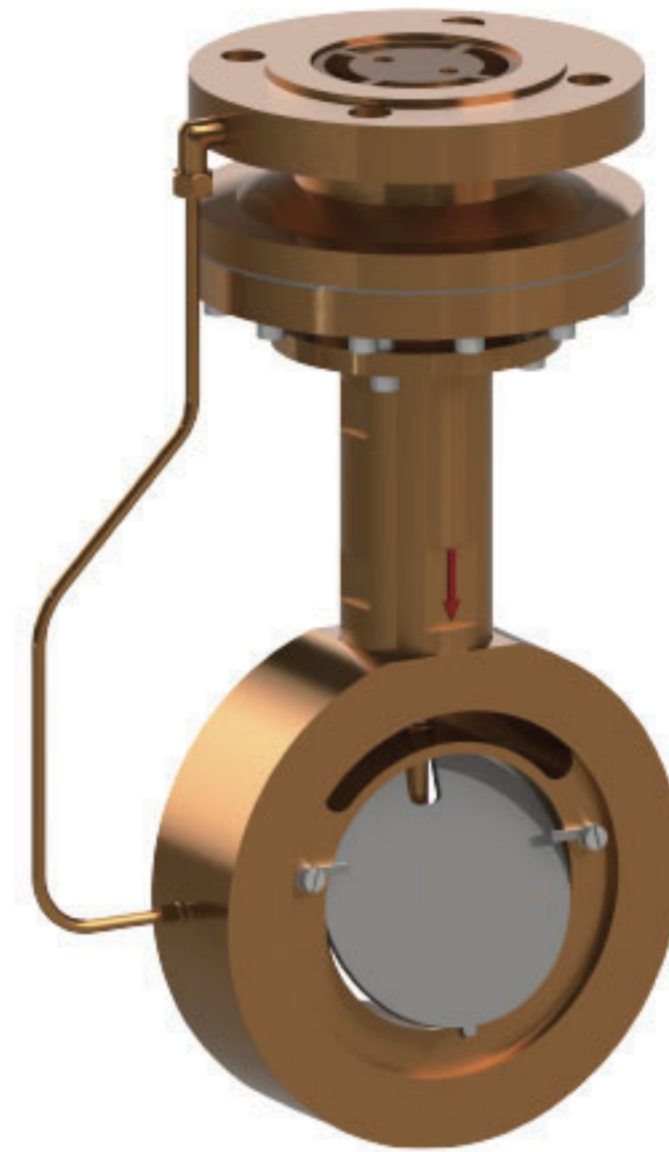
Design Features:

Size	Proportioning Rate	Flow Rate(L/min,GPM)	
		Min.	Max
PPW-6	1%,3%	189	11355
PPW-8	1%,3%	189	18925
PPW-10	1%,3%	189	26495

Dimensions

Model	PPW-6	PPW-8	PPW-10
A(mm)	343	440	+
B(mm)	62	62	+
C(mm)	286	360	+
D(mm)	211	265	+
E*	2½"	3"	+

**Thread connection is also available, more size please contact SureX.
+, Consult SureX.



PPW Series Wide Range

Pressure Loss (bar)

