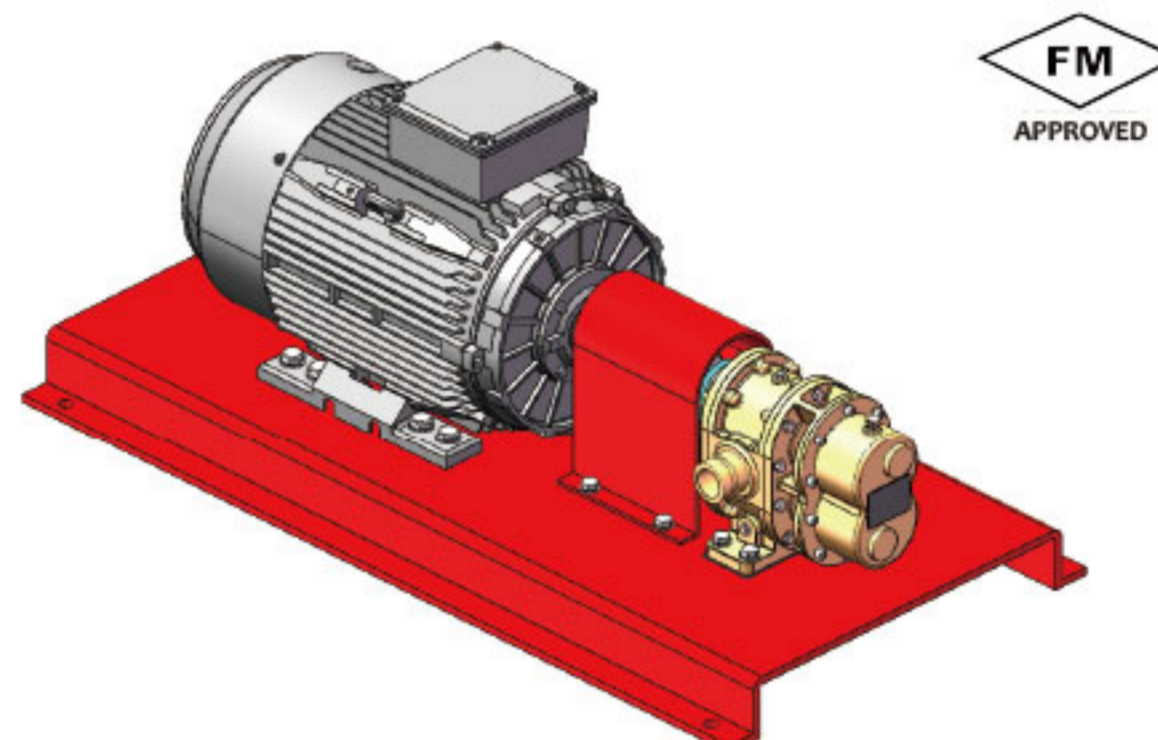


## Model G7T-110 W/IEC Electric Motor Rotary Gear Pump Unit

### Pump Unit Include:

- Model G7T-110 Rotary gear pump FM Approved.
- UL listed or Non-listed TEFC Type Electric Motor\*.
- Curved Jaw Elastomer Coupling.
- Carbon Steel Coupling Guard RAL3000(standard) or other color on request.
- Carbon Steel Base Plate, RAL3000(standard) or other color on request.

\* Junction Box located on top or side of motor



### Technical Data:

|                  |                        |
|------------------|------------------------|
| Speed:           | 1450RPM                |
| Connection Dia:  | DN80(88.9mm O.D)       |
| Connection Type: | Groove, Flange, Thread |
| Voltage:         | 380V/3P/50HZ           |
| Enclosure:       | IP 56                  |

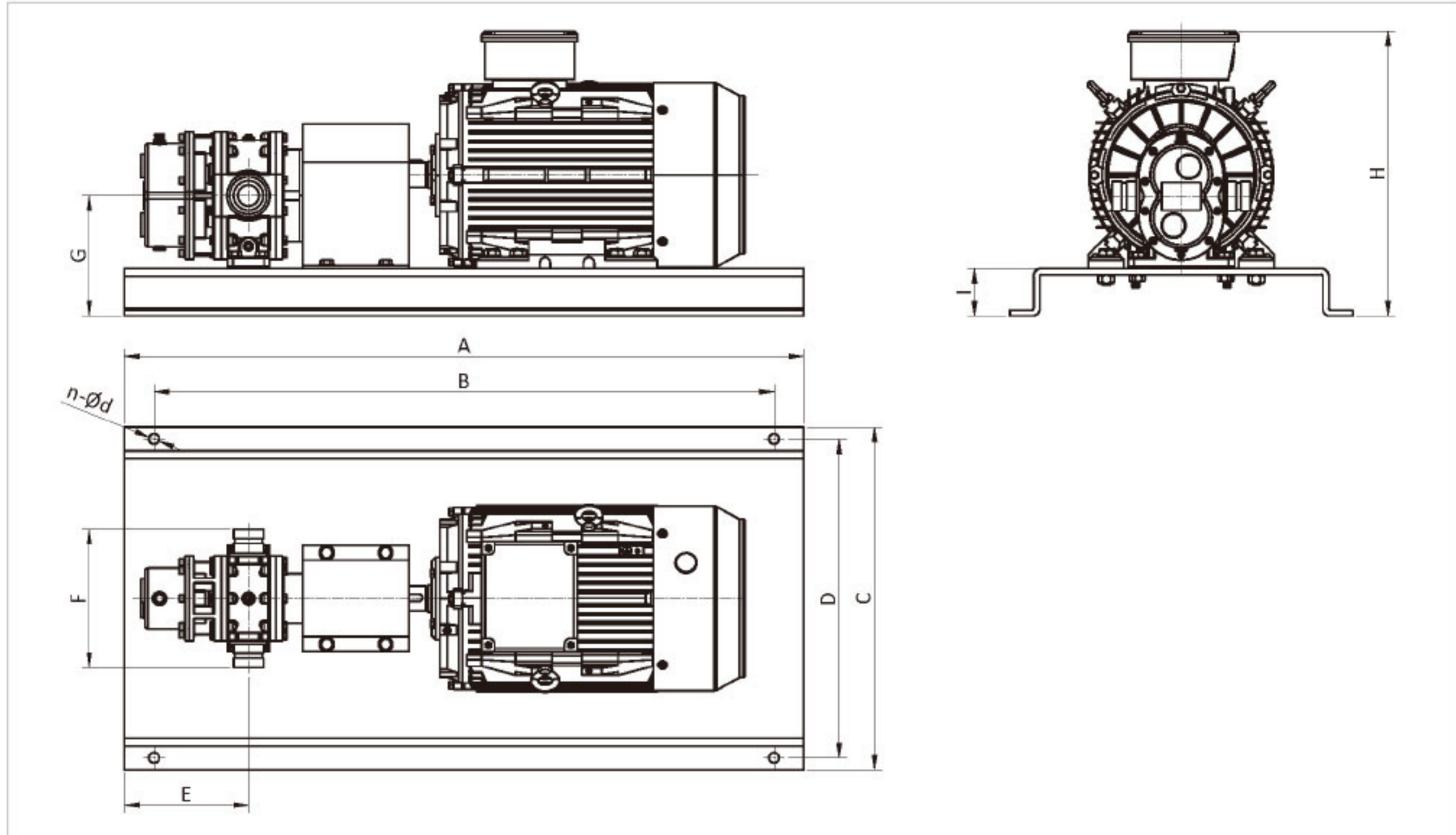
### Performance

| Speed<br>1500rpm | G7T-110           |       |
|------------------|-------------------|-------|
| Pressure         | Flow Rate (Water) | Power |
| BAR              | L/min             | Kw    |
| 5.0              | 625.6             | 13.00 |
| 5.5              | 622.0             | 13.60 |
| 6.0              | 618.5             | 14.21 |
| 6.5              | 615.2             | 14.81 |
| 7.0              | 611.8             | 15.41 |
| 7.5              | 608.5             | 16.02 |
| 8.0              | 605.3             | 16.62 |
| 8.5              | 602.1             | 17.21 |
| 9.0              | 598.8             | 17.81 |
| 9.5              | 595.6             | 18.41 |
| 10.0             | 592.4             | 19.00 |
| 10.5             | 589.2             | 19.59 |
| 11.0             | 585.9             | 20.18 |
| 11.5             | 582.7             | 20.77 |
| 12.0             | 579.5             | 21.36 |
| 12.5             | 576.3             | 21.95 |
| 13.0             | 573.1             | 22.55 |
| 13.5             | 570.1             | 23.15 |
| 14.0             | 567.1             | 23.76 |
| 14.5             | 564.2             | 24.38 |
| 15.0             | 561.4             | 25.00 |
| 15.5             | 558.7             | 25.63 |
| 16.0             | 556.2             | 26.28 |
| 16.5             | 553.8             | 26.94 |
| 17.0             | 551.5             | 27.61 |
| 17.5             | 549.5             | 28.30 |
| 18.0             | 547.6             | 29.00 |
| 18.5             | 545.9             | 29.72 |
| 19.0             | 544.5             | 30.46 |
| 19.5             | 543.2             | 31.22 |
| 20.0             | 542.3             | 32.00 |

| Speed<br>1500rpm | G7T-110          |       |
|------------------|------------------|-------|
| Pressure         | Flow Rate (Foam) | Power |
| BAR              | L/min            | Kw    |
| 5.0              | 607.6            | 14.00 |
| 5.5              | 604.2            | 14.62 |
| 6.0              | 600.9            | 15.24 |
| 6.5              | 597.6            | 15.85 |
| 7.0              | 594.5            | 16.45 |
| 7.5              | 591.4            | 17.05 |
| 8.0              | 588.5            | 17.64 |
| 8.5              | 585.8            | 18.23 |
| 9.0              | 583.2            | 18.82 |
| 9.5              | 580.8            | 19.41 |
| 10.0             | 578.7            | 20.00 |
| 10.5             | 576.8            | 20.59 |
| 11.0             | 575.1            | 21.19 |
| 11.5             | 573.5            | 21.79 |
| 12.0             | 572.2            | 22.38 |
| 12.5             | 571.0            | 22.98 |
| 13.0             | 569.8            | 23.59 |
| 13.5             | 568.8            | 24.19 |
| 14.0             | 567.9            | 24.79 |
| 14.5             | 567.0            | 25.40 |
| 15.0             | 566.1            | 26.00 |
| 15.5             | 565.2            | 26.60 |
| 16.0             | 564.3            | 27.21 |
| 16.5             | 563.3            | 27.81 |
| 17.0             | 562.3            | 28.41 |
| 17.5             | 561.2            | 29.02 |
| 18.0             | 559.9            | 29.62 |
| 18.5             | 558.5            | 30.21 |
| 19.0             | 556.9            | 30.81 |
| 19.5             | 555.1            | 31.41 |
| 20.0             | 553.0            | 32.00 |

## Model G7T-110 W/IEC Electric Motor Rotary Gear Pump Unit

### Dimensions



| Model | Power | A    | B    | C   | D   | E   | F   | G   | H   | I  | n | d  |
|-------|-------|------|------|-----|-----|-----|-----|-----|-----|----|---|----|
| G7T   | Kw    | mm   | mm   | mm  | mm  | mm  | mm  | mm  | mm  | mm | - | mm |
|       | 15.0  | 1320 | 1220 | 580 | 540 | 290 | 285 | 232 | 526 | 80 | 4 | 18 |
|       | 18.5  | 1350 | 1250 | 630 | 590 | 290 | 285 | 232 | 547 | 80 | 4 | 18 |
|       | 22.0  | 1390 | 1290 | 630 | 590 | 290 | 285 | 232 | 547 | 80 | 4 | 18 |
|       | 30.0  | 1440 | 1340 | 700 | 660 | 290 | 285 | 232 | 582 | 80 | 4 | 18 |
|       | 37.0  | 1470 | 1370 | 760 | 720 | 290 | 285 | 285 | 637 | 80 | 4 | 18 |
|       | 45.0  | 1500 | 1400 | 760 | 720 | 290 | 285 | 285 | 637 | 80 | 4 | 18 |